



- Reduced height micro plug-in relay
- Standard Micro-ISO terminal layout
- 25A max. switching current
- Retaining lug “locks” into suitable socket

RoHS
Compliant ✓

Contacts

Contact arrangement	SPST-NO (1 Form A)
Contact material	AgSnO ₂
Max. switching voltage	DC 30VDC
Max. switching power	350W
Rated load	DC1 25A/14VDC
Max. switching current	25A
Voltage drop	50mV (at 10A) IEC60255-7 4.12

Coil

Rated voltage	DC 12V
Must release voltage	≥1.2VDC
Operating range	See Table 1
Rated power consumption	1.07W (1.2W with resistor)

Insulation

Insulation resistance	20MΩ (min.) at 500VDC. IEC61810-7 4.11
Dielectric strength	coil to contact 500Vrms 50Hz, 1min. IEC61810-7 4.9
	contact to contact 500Vrms 50Hz, 1min. IEC61810-7 4.9

General Data

Operating time	≤ 10ms
Release time	≤ 10ms
Electrical life	ops. 1 x 10 ⁵
Mechanical life	ops. 1 x 10 ⁶

Environmental

Ambient temperature	operating	-40 to +105°C
Relative humidity	RH	5% to 85%
Shock resistance	functional	98m/s ² , 11ms. IEC61810-7 4.26
	destructive	980m/s ² , 11ms. IEC61810-7 4.26
Vibration resistance	functional	10~100Hz 44.1m/s ² . IEC61810-7 4.28
	destructive	100~500Hz 44.1m/s ² . IEC61810-7 4.28
Terminal pull strength		10N
Dimensions	L x W x H	22.5 x 15.2 x 16.2mm (excluding terminals)
Weight	approx.	14g

Ordering Code

D G 9 0 - 3 0 2 1 - 3 6 - 1 0 1 2 - R

Series

Coil code:

See table 1

Contact material

30: AgSnO₂

Contact arrangement

21: SPST-NO (1 N/O, 1 Form A)

Environmental protection

3: In cover, sealed - IP67

7: In cover, dust cover - IP54

Mounting & terminations

6: Flat blades

Options

Blank: None

R: Parallel resistor

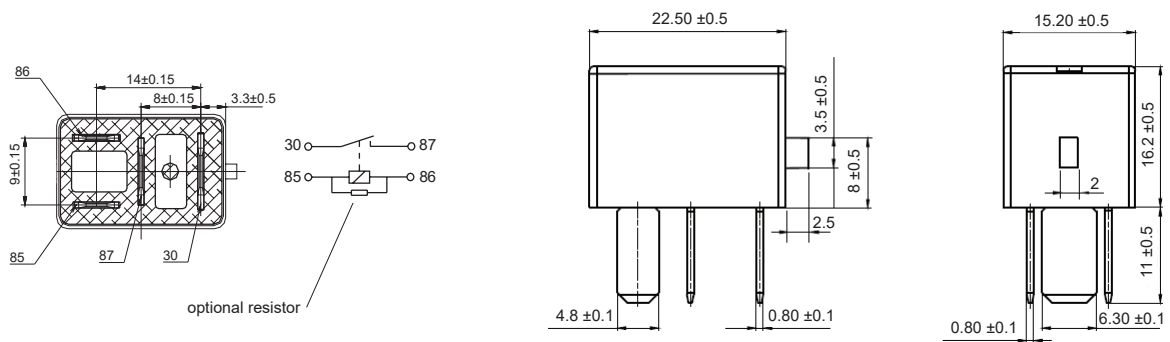
Coil Data

Table 1

Coil code	Rated voltage (VDC)	Max. allowable voltage (VDC)*	Coil resistance (Ω) $\pm 10\%$		Must operate voltage max. (VDC)	Must release voltage min. (VDC)	Coil power (W)	
			without resistor	with resistor			without resistor	with resistor
1012	12	15.6	135	120	7.8	1.2	1.07	1.2

Overall Dimensions and Connection Diagram (mm)

Fig. 1



Notes:

1: All parameters, unless otherwise specified, are measured at ambient temperature of 23°C.