



- Vehicle indicator relay
- Stable electronic timing
- Wide operating voltage & temperature range
- Long life
- Standard plug in replacement
- With ticking sound

ROHS
Compliant ✓

Contacts

Contact arrangement	SPST-NO (1 Form A)
Contact Material	AgSnO ₂
Max. switching voltage	DC 15V (Nominal 12V coil) / 30V (Nominal 24V coil)
Switched load	LED >0.1W - see Note 2 below
	Filament bulbs 21~150W
Minimum load (filament bulbs)	21W - see Note 2 below
Max. current (inrush)	20A
Max. switched power	150W

Coil

Nominal Voltage	12 & 24VDC
Operating voltage range	11 ~ 15VDC, 22 ~ 30 VDC

General Data

Flashing frequency	85 ± 10% per minute
Duty ratio	30% ~ 70%
Electrical life	400 Working hours
Dimensions	L x W x H 30 x 30 x 39
Weight	30g
Temperature	operating -40°C to +80°C
	storage -40°C to +80°C

Note: All parameters, unless otherwise specified, are measured at ambient temperature of 20°C ± 2°C

Ordering Code

D G 4 3 F _ 3 0 2 1 _ 7 6 _ 1 0 1 2

Series

Contact material

30: AgSnO₂

Contact arrangement

21: SPST-NO (1 NO, 1 Form A)

Cover Protection Category

7: in cover, dust cover - IPS0

Connection Mode

6: Flat blades

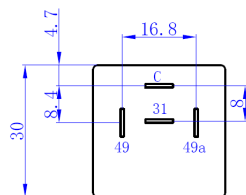
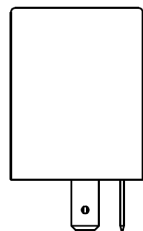
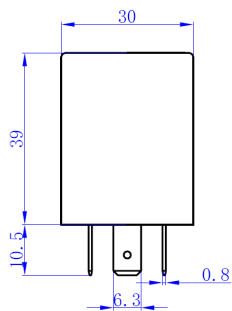
Coil Voltage Code

1012: 12VDC

1024: 24VDC

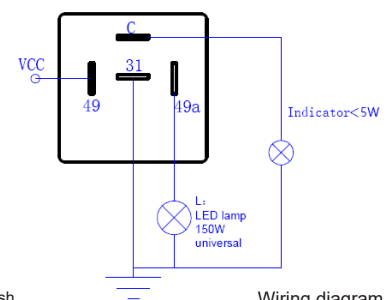
Dimensions

Fig 1



Notes:

- 1: Works with LED's or lamps 21W and above.
- 2: With LED load less than 21W, indicator will not flash, but LED's will still flash at normal frequency.



Wiring diagram
(Bottom view)