



- HVDC 120A at 450VDC
- Max. switching current = 600A
- Contacts sealed in inert gas
- Magnet arc blowout
- Auxiliary contact option
- Female M5 power terminals



Contacts

Contact arrangement	SPST-NO-DM	
Contact material	T2+Ag	
Max. switching voltage	AC/DC	900VDC
Rated load (resistive, $\cos \phi=1$)	DC1	120A 450VDC
Max. continuous thermal current	600s	140A
	60s	180A
Max switching current	1 time only	600A 450VDC
Initial contact resistance	max.	1m Ω (at 1A)
Auxiliary contact when fitted	arrangement	SPST-NO (1 Form A)
	max. current	2A @ 30VDC / 3A @ 125VAC
	min. current	100mA @ 5VDC

Coil

Nominal voltage (see page 2)	DC	6~72VDC
Rated power consumption	hold	5.54W @ 12VDC

Insulation

Insulation resistance	initial	100M Ω (min.)
	life end	50M Ω (min.)
Dielectric strength	coil to contact	2500Vrms / 1mA / 1 min (at sea level)
	contact to contact	2500Vrms / 1mA / 1 min (at sea level)

General Data

Operate time at 20°C	max.	25ms
Bounce time at 20°C	max.	7ms
Release time at 20°C	max.	12ms
Electrical life	Voltage and current dependent - see fig. 1	
Mechanical life	1 x 10 ⁶	

Environmental

Ambient temperature	operating	-40 to +85°C
Relative humidity	5 to 85%RH	
Shock resistance	20G peak, 11ms 1/2 sine	
Vibration resistance	20G sine peak (80 to 2000Hz)	
Dimensions	L x W x H	40 x 53.86 (over flanges) x 59.07 (approx.)
Weight	approx.	190g \pm 5g

Ordering Code

D E V R 1 0 - 5 0 6 1 - S 8 - 1 0 2 4 - R 1

Series

Coil code:

See table 1

Contact material

50: T2+Ag

Contact arrangement

61: SPST-NO*

71: SPST-NO* + auxiliary

81: SPST-NO

* Polarised - see page 2

Mounting & terminations

Bottom flange mounting base

S8: M5 Female power terminals

Coil & auxiliary contacts by flying leads

Coil wire length

R: 14.96" (380mm)

T: 5.9" (150mm)

Coil wire & auxiliary contact termination

1: None

2: Yazaki 7282-5558-10 Male

3: Molex mini-fit female

Other terminations to special order

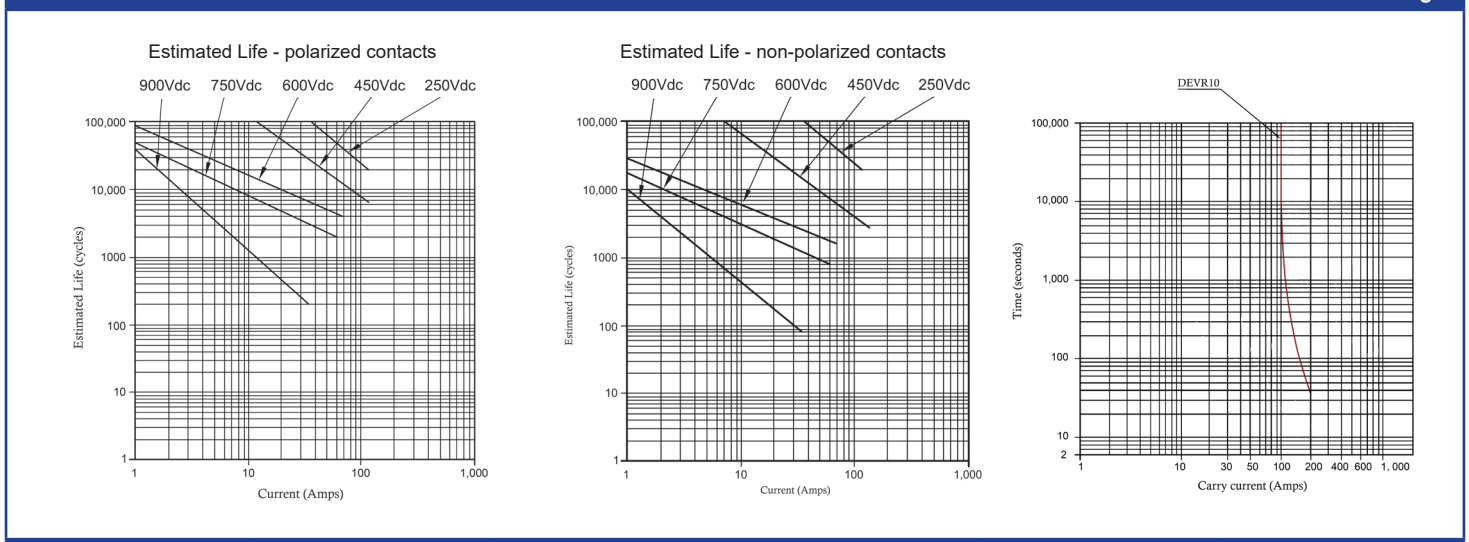
Coil Data

Table 1

Coil code	Nominal voltage (VDC)	Must operate voltage max. (VDC@ 20°C)	Max. allowable voltage (VDC)	Must release voltage min. (VDC)	Coil resistance $\Omega \pm 5\%$ (at 20°C)	Coil Current (mA)	Coil power (W @ 20°C)
1006	6	4.8	7.2	0.6	6.3	952.4	5.71
1012	12	9.6	14.4	1.2	26.0	461.5	5.54
1024	24	19.2	28.8	2.4	96.4	249.0	5.98
1028	28	22.4	33.6	2.8	136.0	205.9	5.76
1036	36	28.8	43.2	3.6	227.0	158.6	5.71
1048	48	38.4	57.6	4.8	392.0	122.5	5.88
1072	72	57.6	86.4	7.2	868.0	83.0	5.97

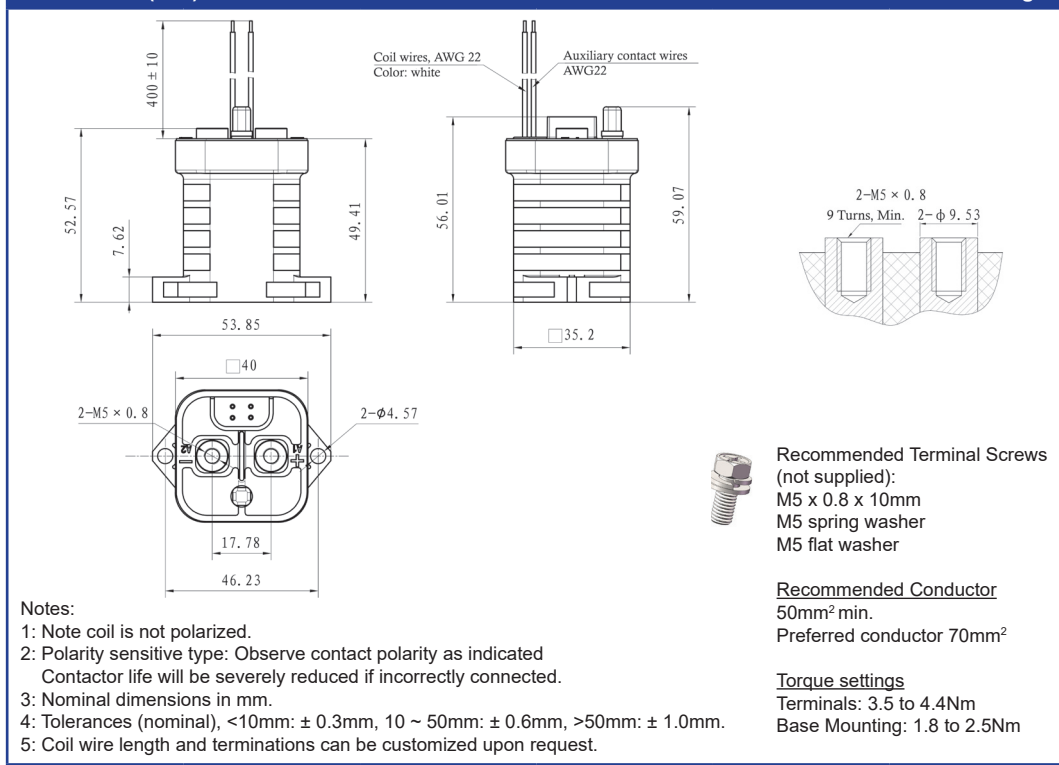
Electrical Performance

Fig. 1



Dimensions (mm)

Fig. 2



Circuit Diagram

Fig. 3

