



- Miniature PCB power relay
- Up to 12A /28VDC rating
- Industry standard style
- Cost effective



RoHS Compliant ✓

### Contacts

Contact arrangement	DPST-NO (2 N/O), DPDT (2 C/O)
Contact material	AgNi 90/10, AgSnO <sub>2</sub>
Max. switching voltage	AC/DC 440VAC / 125VDC
Max. switching power	2000VA
Min. switching current / voltage	100mA/12VDC
Rated load	AC1 12A 250VAC (8A, 250VAC TUV/UL)
	DC1 8A, 30VDC
Initial resistance	100mΩ, max. at 0.1A/6VDC

### Coil

Rated voltage	DC 5...110V
Must release voltage	DC ≥ 0.1U <sub>n</sub>
Operating range of supply voltage	See table 1
Rated power consumption	DC 400mW

### Insulation (EN 60664-1)

Insulation resistance	AC ≤ 1000MΩ at 500VDC, 50%RH
Dielectric strength	coil to contact 5000Vrms, 1min
	contact to contact 1000Vrms, 1min

### General Data

Operating time	typ. ≤ 15ms
Release time	typ. ≤ 8ms
Electrical life	ops. ≥ 1 x 10 <sup>5</sup>
Mechanical life	ops. ≥ 1 x 10 <sup>7</sup>

### Environmental

Ambient temperature	operating	-40 to 85°C
	storage	-40 to 85°C
Shock resistance	functional	100m/s <sup>2</sup>
	destructive	1000m/s <sup>2</sup>
Vibration resistance	DA 1.5mm 10-55Hz	
Dimensions	L x W x H	29 x 12.7 x 15.7mm
Weight	approx.	13.5g

### Ordering Code

D X 8 4 - 2 0 2 2 - 2 5 - 1 0 1 2

#### Series\*

DX84: Standard  
DX84G: Big Gap

#### Coil code:

See table 1

#### Contact material

20: AgNi 90/10  
30: AgSnO<sub>2</sub>

#### Contact arrangement

12: DPDT (2C/O)  
22: DPST-NO (2N/O)

#### Environmental protection

2: In cover, flux tight - IP40  
3: In cover, sealed - IP67

#### Mounting & terminations

5: For PCB

\* Standard contact gap = 0.3mm

Big contact gap = 0.5mm (only available for 2N/O - option 22)

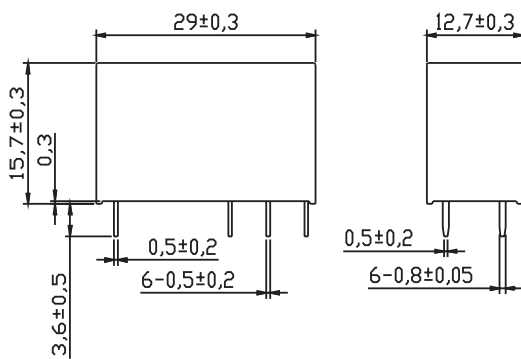
Coil Data (DC voltage 400mW)

Table 1

Coil code	Nominal voltage (VDC)	Coil resistance (Ω) ±10%	Must operate voltage max. (VDC)	Must release voltage min. (VDC)
1005	5	62	3.5	0.5
1006	6	90	4.2	0.6
1009	9	202	6.3	0.9
1012	12	360	8.4	1.2
1018	18	810	12.6	1.8
1024	24	1440	16.8	2.4
1048	48	5760 ±15%	33.6	4.8
1060	60	7500 ±15%	42.0	6.0
1110	110	25200 ±15%	77.0	11.0

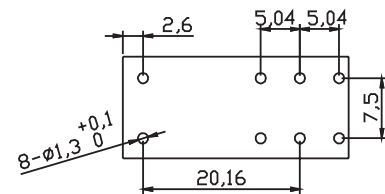
Dimensions mm

Fig. 1



PCB Mounting Dimensions mm (bottom view)

Fig. 2



Wiring Diagrams (bottom view)

Fig. 3

